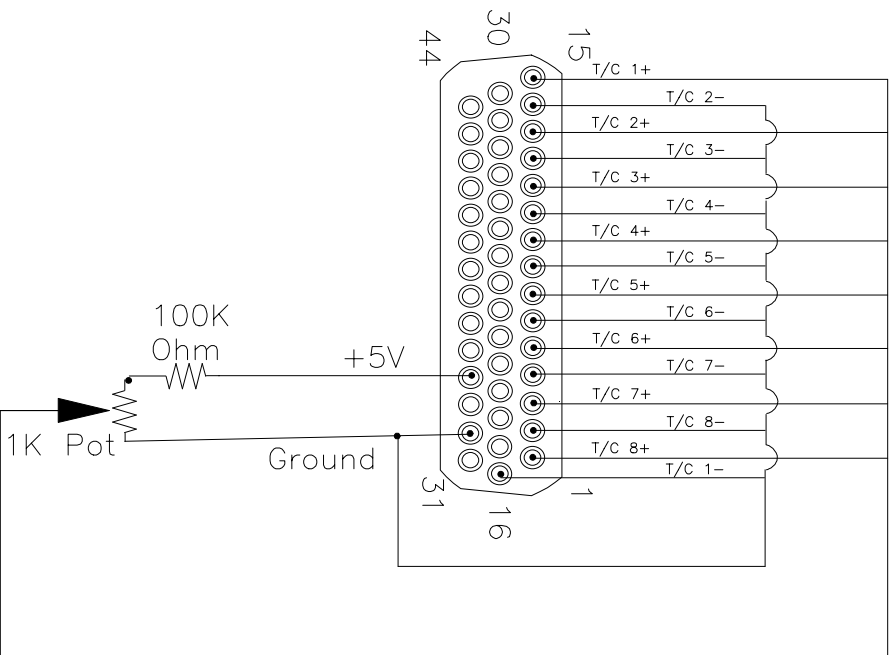


This test harness can be used to check the 8 thermocouple inputs on the Analog 3 option of the EFIS/One.

The positive wire of each thermocouple is connected to the output of the potentiometer. Set the output voltage to 34mv. The - wire of each thermocouple is connected to ground.

The thermocouple inputs on the Calibration screen should give an AD value of ~3600. If a type K thermocouple calibration curve is loaded, 34mv is equal to about 1504 degrees F.



Analog 3, EFIS/One  
HD44 Male  
View from wire side.

Pot provides voltage  
from 0V to ~50mv

Use Digital Voltmeter between wiper  
and ground to set at 34.0mv

TITLE	EFIS/One Thermocouple Test Analog 3 Input
PAGE	1.2